

OPTIMUS D MINI SCREW






The most optimized Mini Screw system for clinicians

Optimus D Mini Screw system is the most optimized for clinicians.

It provides clinicians with fast and effective tools for a full range of orthodontic cases treatment. Optimus D Mini Screws can be placed in the Maxilla and the Mandible area with the purpose of offering a true alternative to conventional anchorage methods.

- Self-tapping and self-drilling minimize the need for tissue punches or pilot drills
- Tissue-suppression stops to prevent overgrowth of tissue
- Smooth and polished transmucosal collars prevent infection
- Buttress thread design enhances pullout strength
- Rounded Hexahead design helps to smoothly remove the shaft from screw head
- Dual cutting threads remove bone debris in high density bone
- Flute thread helps an initial drill with removing bone debris in high density bone

OPTIMUS BLOCK & INSTRUMENTS


Part	Order No.	Description
	TIN-008	Sterilization & Logistic Block
	IOC-010	Driver Handle
	DDS-L01	Driver Shaft for Handle, Double & Wing Head Type
	DDS-L02	Driver Shaft for Handle, Button Head Type
	DDS-S01 DDS-S02	Driver Shaft for Handpieces, Double & Wing Head Type
	DDS-S03 DDS-S04	Driver Shaft for Handpieces, Button Head Type
	SDS-01	Driver Shaft Cross head type

OPTIMUS D MINI SCREW


Optimus Screws

- ➡ Non-Sterilized Optimus Mini Screw
: Just use the Order-No.
Ex: W11406
- ➡ Sterilized Optimus Mini Screw
: Add "S" to Order No
Ex: W11406S

Double Head Type

Double Head Type	Order No.	Dia.	L(mm)
	D11406	1.4	6
	D11407	1.4	7
	D11408	1.4	8
	D11606	1.6	6
	D11607	1.6	7
	D11608	1.6	8
	D11609	1.6	9
	D11806	1.8	6
	D11807	1.8	7
	D11808	1.8	8
	D11809	1.8	9
	D11810	1.8	10
	D12007	2.0	7
	D12008	2.0	8
	D12009	2.0	9
	D12010	2.0	10
	D12011	2.0	11
	D12012	2.0	12


Button Head Type

Button Head Type	Order No.	Dia.	L(mm)
	B21406	1.4	6
	B21407	1.4	7
	B21408	1.4	8
	B21606	1.6	6
	B21607	1.6	7
	B21608	1.6	8
	B21609	1.6	9
	B21806	1.8	6
	B21807	1.8	7
	B21808	1.8	8
	B21809	1.8	9
	B21810	1.8	10
	B22007	2.0	7
	B22008	2.0	8
	B22009	2.0	9
	B22010	2.0	10
	B22011	2.0	11
	B22012	2.0	12

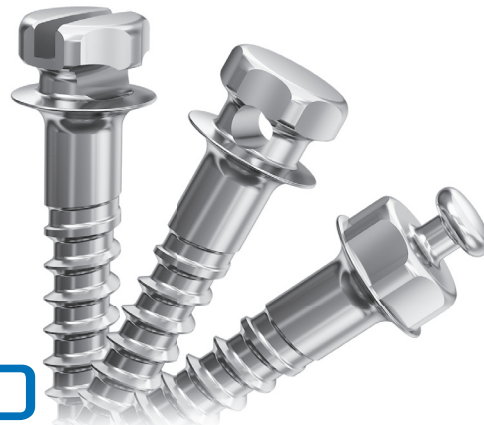
Wing Head Type

Wing Head Type	Order No.	Dia.	L(mm)
	W11406	1.4	6
	W11407	1.4	7
	W11408	1.4	8
	W11606	1.6	6
	W11607	1.6	7
	W11608	1.6	8
	W11609	1.6	9
	W11806	1.8	6
	W11807	1.8	7
	W11808	1.8	8
	W11809	1.8	9
	W11810	1.8	10
	W12007	2.0	7
	W12008	2.0	8
	W12009	2.0	9
	W12010	2.0	10
	W12011	2.0	11
	W12012	2.0	12

Cross Head Screw with Collar

Cross Head Screw with Collar	Order No.	Dia.	L(mm)
	S21406	1.4	6
	S21407	1.4	7
	S21408	1.4	8
	S21410	1.4	10
	S21606	1.6	6
	S21608	1.6	8
	S21610	1.6	10
	S21612	1.6	12
	S21806	1.8	6
	S21808	1.8	8
	S21810	1.8	10
	S21812	1.8	12

CE
0120



OPTIMUS D

The most optimized for clinicians



OSTEONIC
The Medical Explorer

OSTEONIC Co., Ltd.

1206Ho, 38, Digital-ro 29-gil, Guro-gu, Seoul, Korea P.O. #08381

TEL: +822 6902 8400 FAX: +822 6902 8401 www.osteonic.com

ORT - E - 2011